

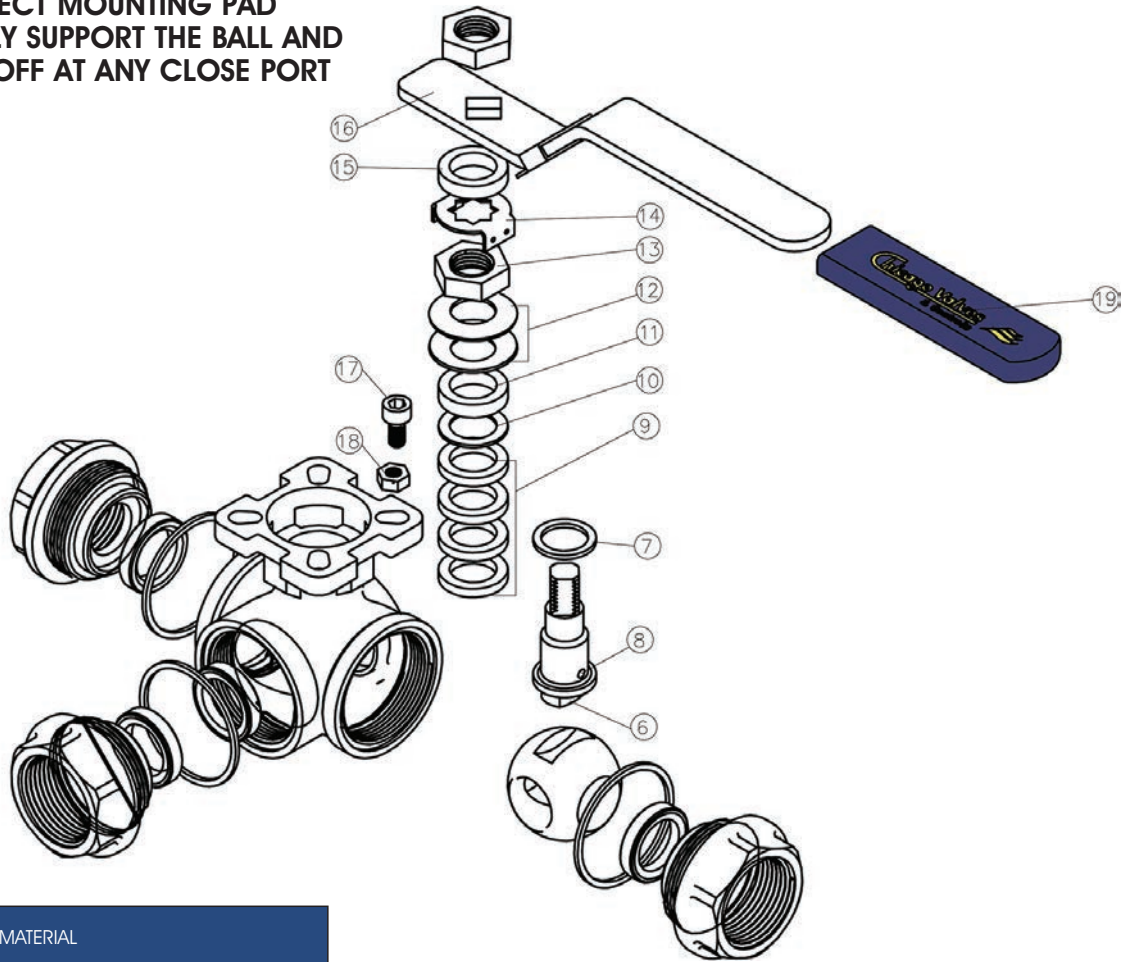
Chicago Valves & Controls



SERIES 16
3 WAY BALL VALVES

316 STAINLESS STEEL ASTM A351 CF8M
LIVE LOADED STEM PACKING
BLOW OUT PROOF STEM
AVAILABLE IN T OR L PORT CONFIGURATION
LOCKABLE HANDLE
ISO 5211 INTEGRAL DIRECT MOUNTING PAD
4 SEAT DESIGN SECURELY SUPPORT THE BALL AND
PROVIDE POSITIVE SHUTOFF AT ANY CLOSE PORT
ANTI-STATIC DESIGN

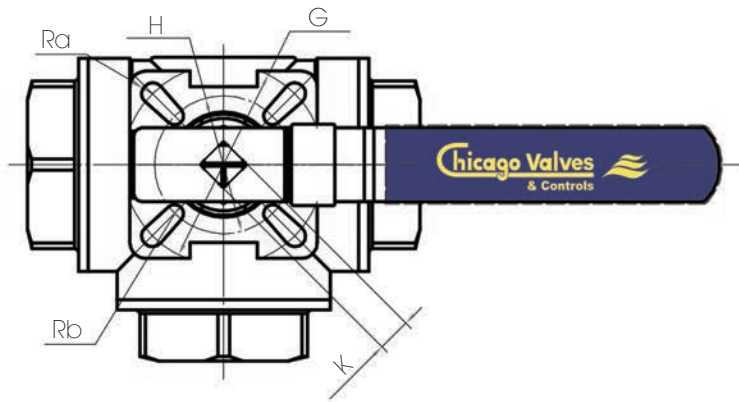
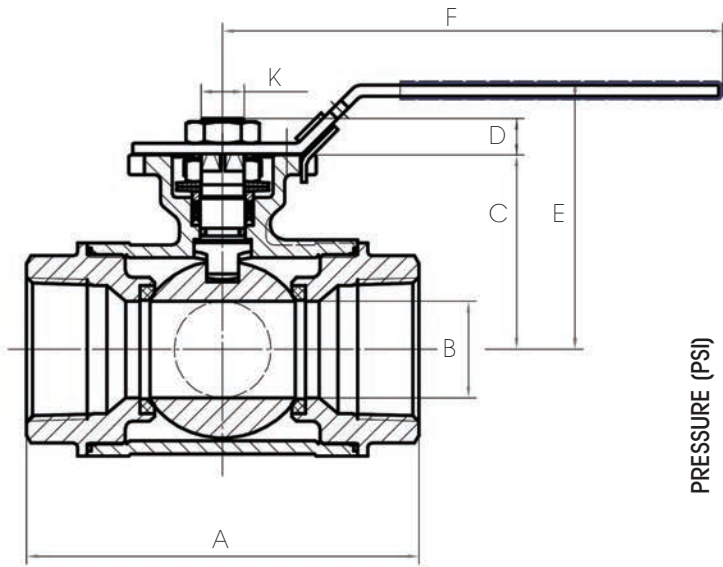
Series 16



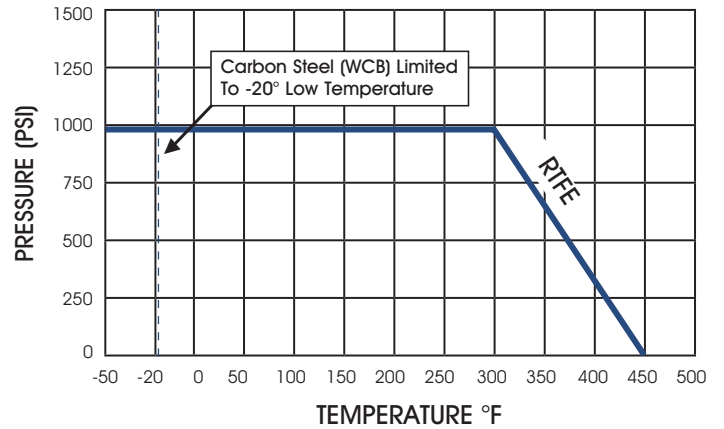
PARTS & MATERIAL

| PART NO. | PART NAME | QTY. | MATERIAL |
|----------|-------------------|------|------------------------------------|
| 1 | Body | 1 | 316 Stainless Steel ASTM A351 CF8M |
| 2 | End Piece | 3 | 316 Stainless Steel ASTM A351 CF8M |
| 3 | Seat | 4 | RTFE |
| 4 | Ball | 1 | 316 Stainless Steel |
| 5 | Body Seal | 3 | PTFE |
| 6 | Stem | 1 | 316 Stainless Steel |
| 7 | Thrust Washer | 1 | Carbon Fill RPTFE |
| 8 | O-Ring | 1 | FPM |
| 9 | Stem Packing | 4 | PTFE |
| 10 | Thrust Bearing | 1 | RPTFE |
| 11 | Gland Packing | 1 | 304 Stainless Steel |
| 12 | Belleville Washer | 2 | 300 Series Stainless Steel |
| 13 | Packing Nut | 1 | 300 Series Stainless Steel |
| 14 | Lock Tab | 1 | 300 Series Stainless Steel |
| 15 | Washer | 1 | 300 Series Stainless Steel |
| 16 | Handle | 1 | 300 Series Stainless Steel |
| 17 | Travel Stop | 1 | 300 Series Stainless Steel |
| 18 | Nut | 1 | 300 Series Stainless Steel |
| 19 | Handle Sleeve | 1 | PVC |

Series 16



PRESSURE-TEMPERATURE RATINGS SERIES 16

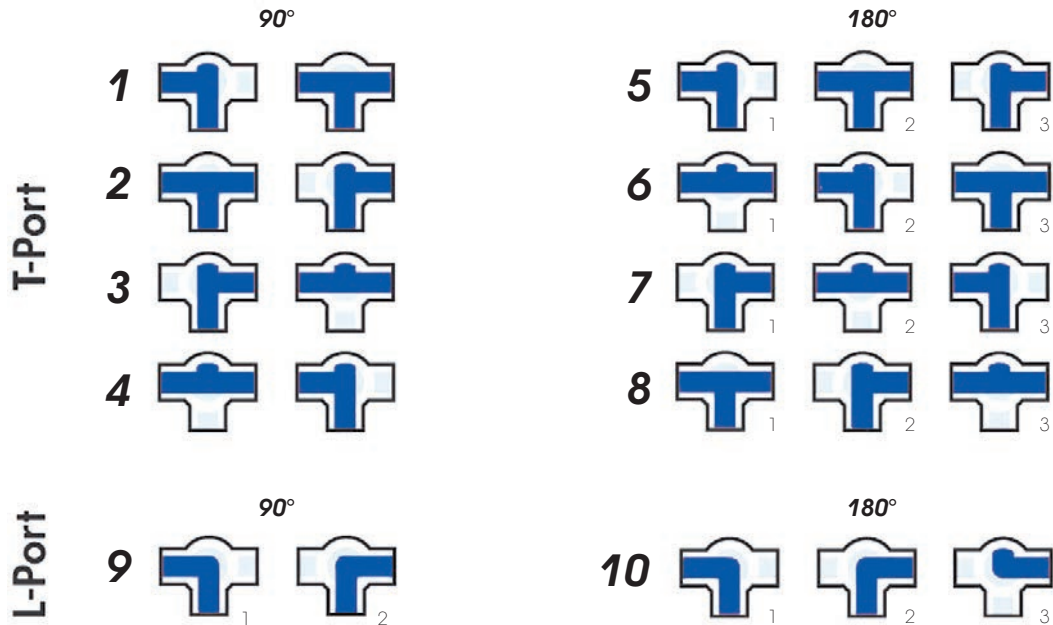


| SIZE | L PORT | T PORT |
|--------|--------|--------|
| 1/4" | 3 | 5 |
| 3/8" | 3 | 6 |
| 1/2" | 4 | 8 |
| 3/4" | 7 | 13 |
| 1" | 12 | 22 |
| 1 1/4" | 20 | 35 |
| 1 1/2" | 34 | 59 |
| 2" | 51 | 88 |

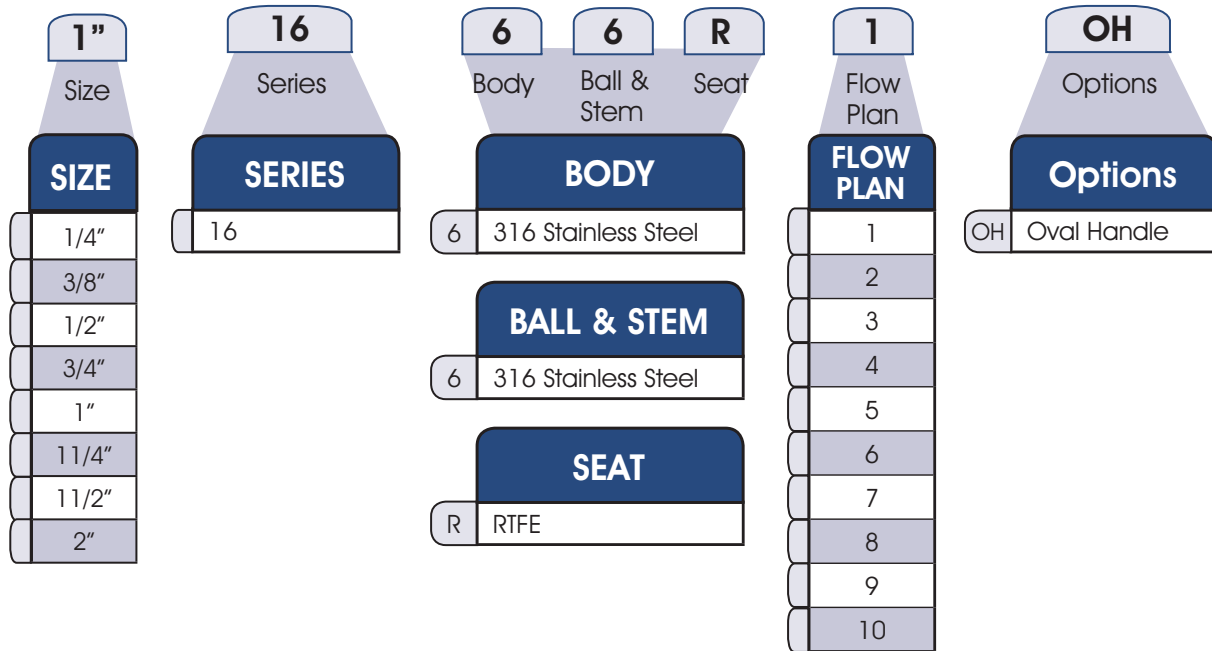
DIMENSIONS (INCHES)

| SIZE | A | B | C | D | E | F | K | G | H | Ra | Rb |
|--------|------|------|------|------|------|------|-----------|------|------|------|------|
| 1/4" | 2.81 | 0.39 | 1.34 | 0.35 | 2.44 | 4.92 | 0.35X0.35 | 1.65 | 1.47 | 0.12 | 0.12 |
| 3/8" | 2.81 | 0.39 | 1.34 | 0.35 | 2.44 | 4.92 | 0.35X0.35 | 1.65 | 1.47 | 0.12 | 0.12 |
| 1/2" | 2.81 | 0.39 | 1.34 | 0.35 | 2.44 | 4.92 | 0.35X0.35 | 1.65 | 1.47 | 0.12 | 0.12 |
| 3/4" | 3.29 | 0.59 | 1.65 | 0.35 | 2.76 | 4.92 | 0.35X0.35 | 1.65 | 1.47 | 0.12 | 0.12 |
| 1" | 3.54 | 0.71 | 2.05 | 0.35 | 3.23 | 5.51 | 0.35X0.35 | 1.97 | 1.65 | 0.14 | 0.12 |
| 1 1/4" | 4.57 | 0.98 | 2.28 | 0.43 | 3.47 | 5.51 | 0.43X0.43 | 1.97 | 1.65 | 0.14 | 0.14 |
| 1 1/2" | 5.24 | 1.26 | 2.64 | 0.55 | 3.82 | 7.09 | 0.55X0.55 | 2.76 | 1.97 | 0.18 | 0.14 |
| 2" | 5.75 | 1.58 | 3.07 | 0.55 | 2.25 | 7.09 | 0.55X0.55 | 2.76 | 1.97 | 0.18 | 0.14 |

FLOW CHART



HOW TO ORDER



Chicago Valves
& Controls



Toll-Free (833) 831-2312

Local (312) 637-3557

Fax: (312) 637-3543

E-Mail: sales@chicagovalves.com

www.chicagovalves.com

885 Cambridge Dr.

Elk Grove Village, Illinois 60007 U.S.A.